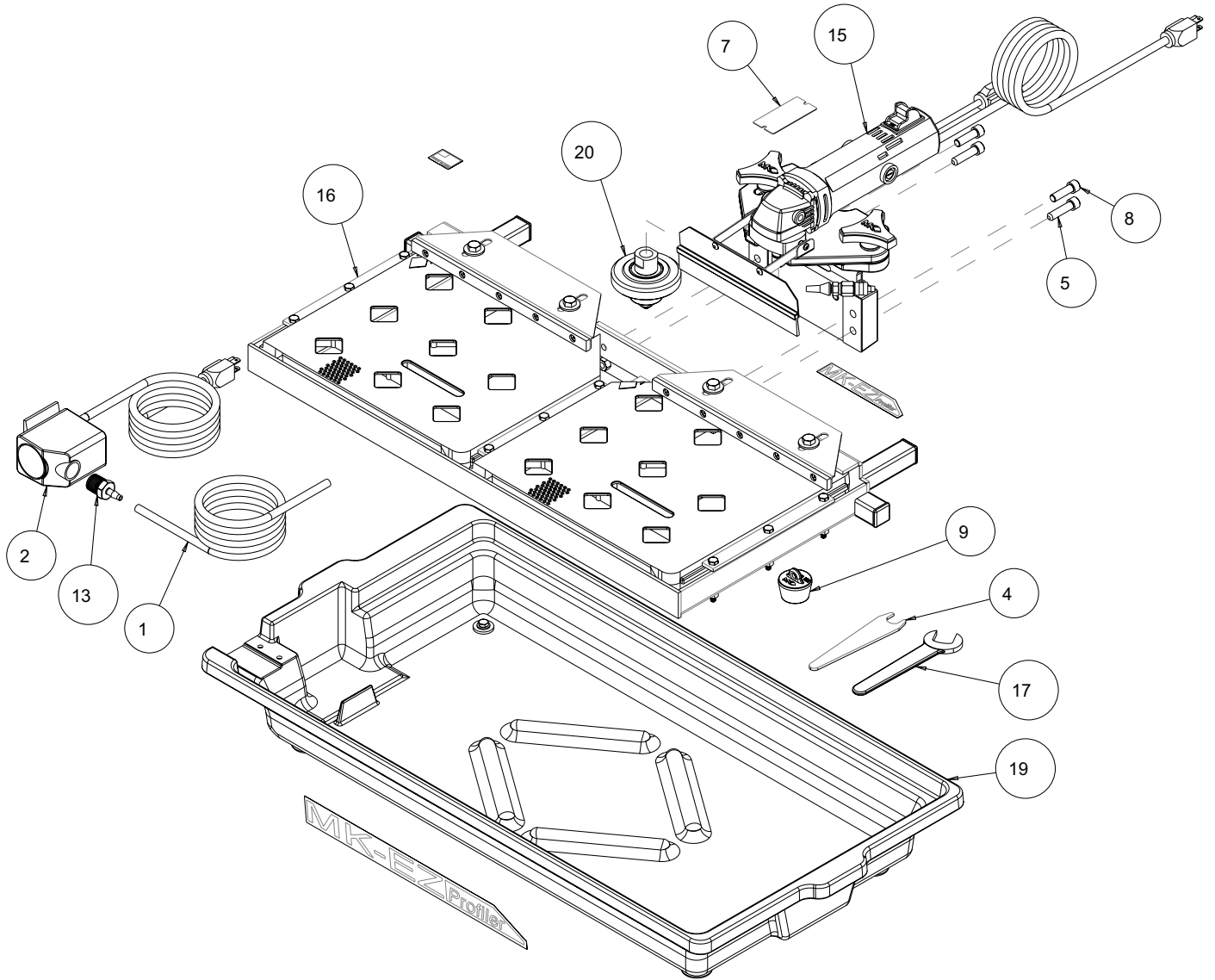


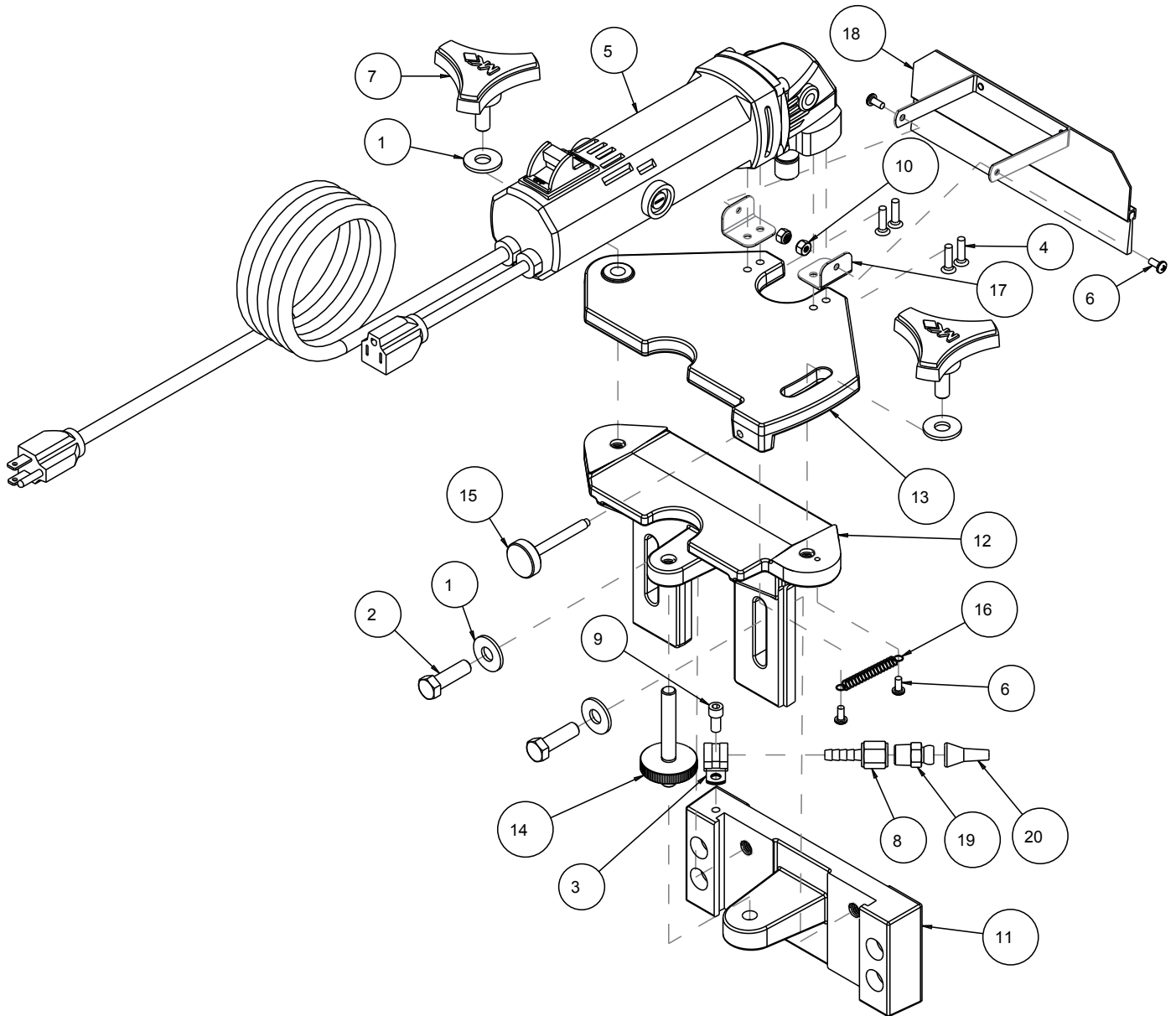
MK-EZ PROFILER PART # 170565



MK-EZ PROFILER PART # 170565

ITEM	DESCRIPTION	PART#	QTY.
1	HOSE, VINYL, 1/4 X 3/8 (6.0')	132951	1
2	PUMP, WATER 115V/60HZ UL/CSA	151271-VP	1
3	CARTON, 13-1/2 X 12-1 X 9 - 3/4	152565	1
4	WRENCH, TILES AW, 11/16 OPEN END	153450	1
5	SCREW, SOCKET HEAD CAP 3/8 - 16 X 1	154685	2
6	CARD, WARRANTY REGISTER SAW	155037	1
7	TAG, SERIAL NUMBER, BLANK	157500-RW	1
8	SCREW, SOCKET HEAD CAP 3/8 - 16 X 1-14	157529	2
9	DRAIN PLUG, W/RING	159529	1
10	MASONRY LABEL SHEET (NOT SHOWN)	166011	1
11	CARTON, MK100/101 SERIES PL KR	166621-01PL	1
12	CARTON, TRAY, MK-100/101	166621-05	1
13	ADAPTER, 1/2 NPT X 1/4 BARB	168261	1
14	OWNERS MANUAL, MK-EZ PROFILER	170565-OM	1
15	ASSY, MOTOR, 120V, EZPR	170650	1
16	ASSY, FRAME AND TABLE, EZPR	170754	1
17	WRENCH, 1" OPEN END, THIN	170799	1
18	SHEET, LABEL, EZPR	170801	1
19	ASSY, PAN, EZPR	170805	1
20	MMK-400BDB 3-1/2 X 5.8-18 3/8R	400038-18	1

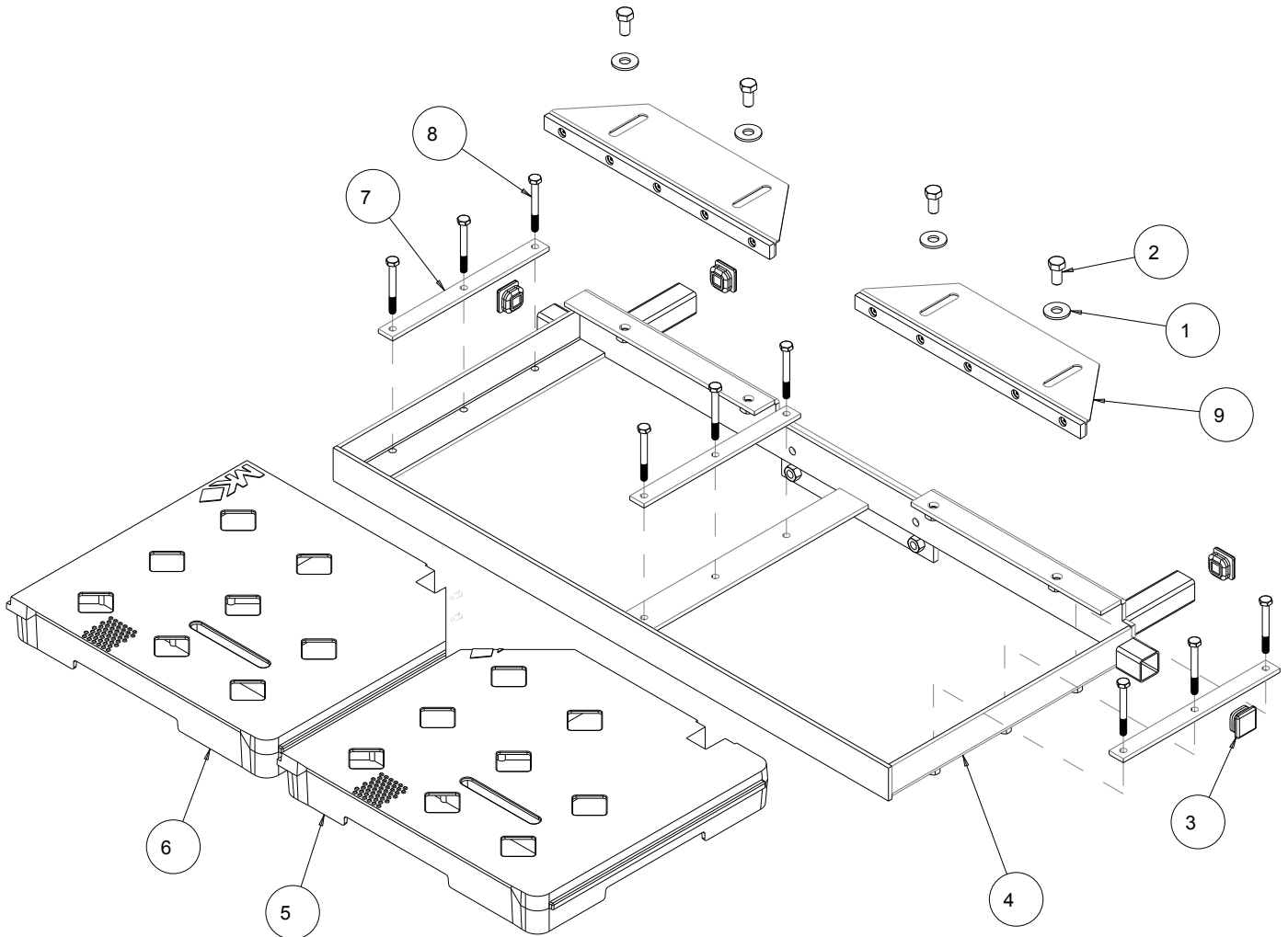
MK-EZ PROFILER ASSY, MOTOR PART # 170650



MK-EZ PROFILER ASSY, MOTOR PART # 170650

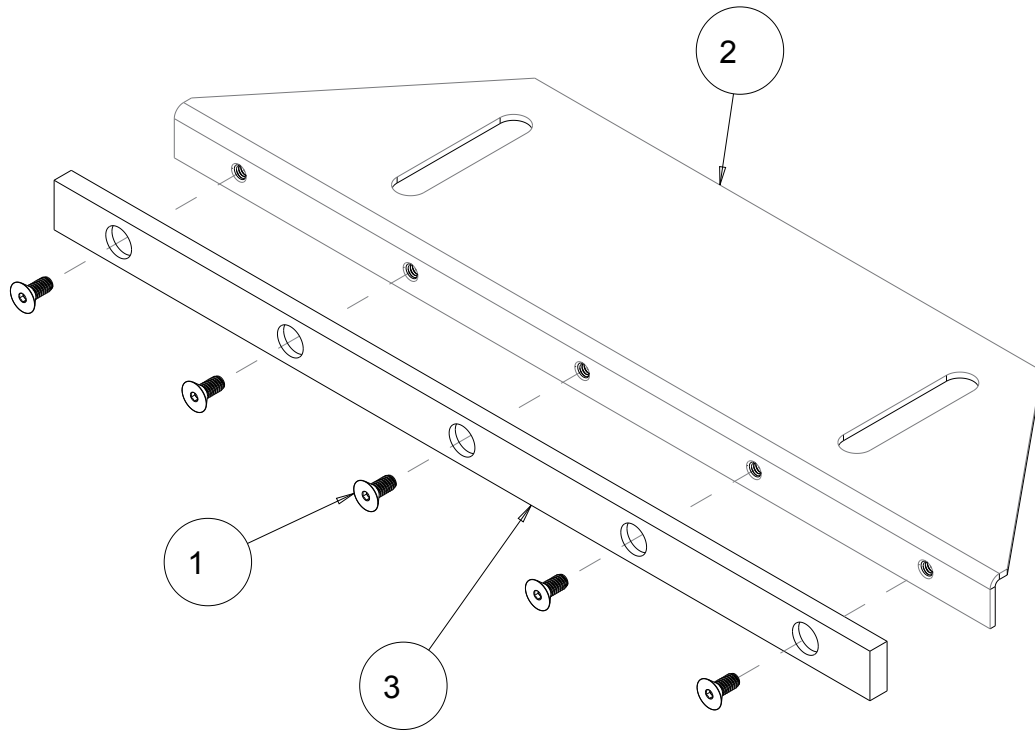
ITEM	DESCRIPTION	PART#	QTY.
1	WASHER, FLAT, USS, 3/8	101360	4
2	SCREW, 3/8-16 X 1-1/4 HEX HEAD CAP	150774	2
3	CLAMP, CUSHION LOOP 3/8	152592	1
4	SCREW, FLAT HEAD 1-32 X 5/ 8"	153902	4
5	MTR, ELECT, 7.4 AMP 120V	156428-R	1
6	SCREW, 8 -32 X 3/8 PAN HEAD PHILLIPS	156614	4
7	KNOB, TRI PLASTIC, 1"	156770-01	2
8	FITTING, 1/4 FNPT X 1/4 BARB	162601	1
9	SCREW, 1/4-20 X 1/2 SOCKET HEAD CAP	162778	1
10	NUT, HEX, NYL, 8-32	165227	2
11	CASTING, BASE, EZPR, COMP	170656	1
12	CASTING, SLIDE, EZPR, COMP	170658	1
13	CASTING, MTR MOUNT, EZPR, COMP	170660	1
14	KNOB, 3/8-16 X 3, EZPR	170741	1
15	KNOB, 1/4-20 X 2, EZPR	170742	1
16	SPRING, EXTEN, .250 X 1.0 X .023	170743	1
17	BRACKET, BRUSH MNT, EZPR	170793	2
18	ASSY, BRUSH, EZPR	170794	1
19	FITTING, 1/4 MNPT X LOC-LINE	170797	1
20	NOZZLE, LOC-LINE, 1/8"	170798	1

MK-EZ PROFILER ASSY, FRAME & TABLE PART # 170754



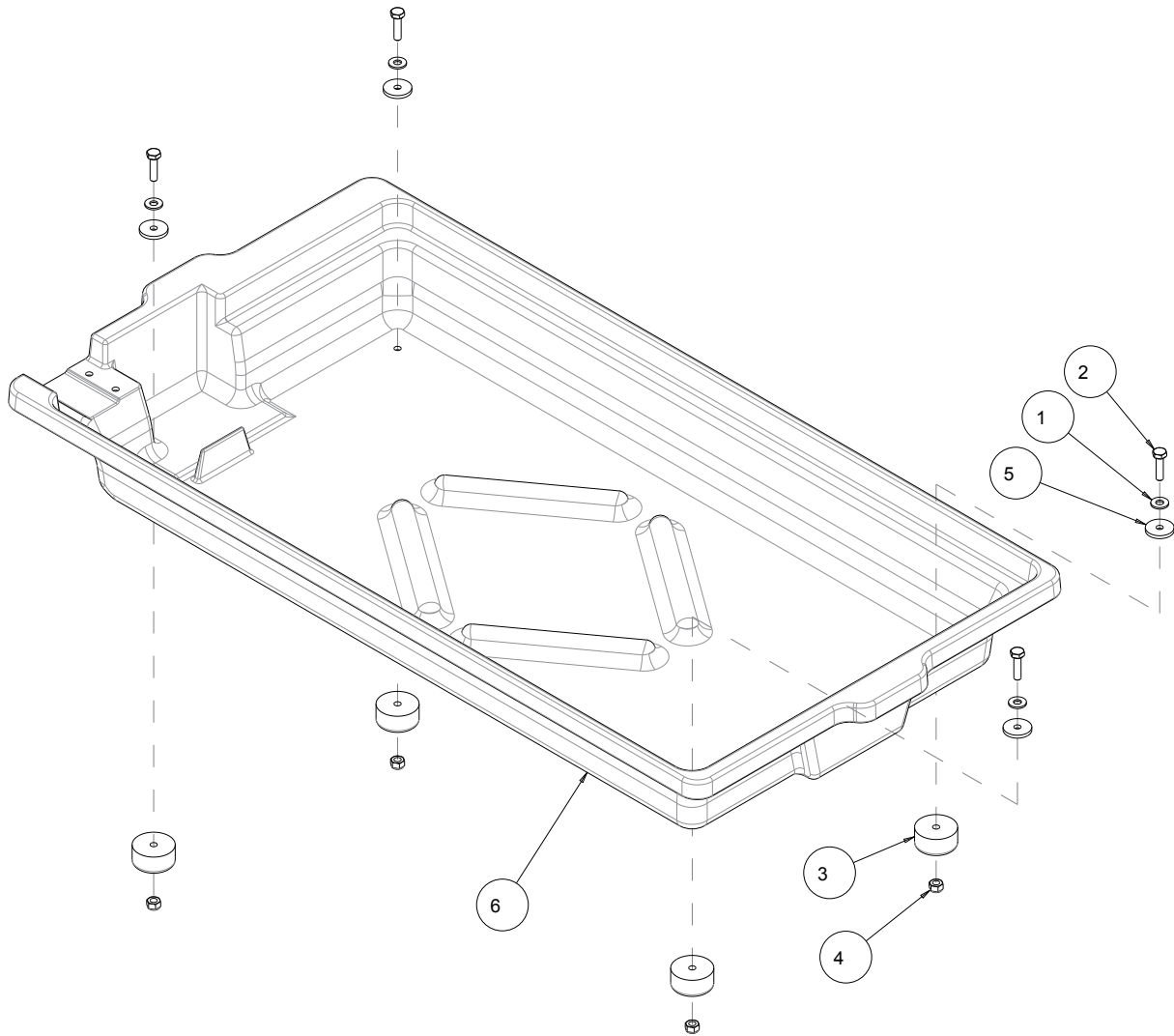
ITEM	DESCRIPTION	PART#	QTY.
1	WASHER, FLAT, USS, 3/8	101360	4
2	SCREW, HEX, 3/8-16 X 3/4	153527	4
3	PLUG, PLASTIC, 1 SQ-14-20 GA	160727-1	4
4	FRAME, EZ PROFILER	170649	1
5	TABLE, LEFT, EZPR, COMP	170651	1
6	TABLE, RIGHT, EZPR, COMP	170652	1
7	STRAP, TABLE, EZPR	170653	3
8	SCREW, HEX HD, 1/4- 0 X 2-1/4	170752	9
9	ASST, FENCE, EZPR	170755	2

MK-EZ PROFILER ASSY, FRAME & TABLE PART # 170755



ITEM	DESCRIPTION	PART#	QTY.
1	SCREW, FLAT HEAD CAP #8-32 X 3/8	165437	5
2	FENCE, EZPR	170654	1
3	STRIP, DELRIN, 1/4 X 5/8 X 12, COMP	170753	1

MK-EZ PROFILER PAN PART # 170805



ITEM	DESCRIPTION	PART#	QTY.
1	WASHER, FLAT, SAE, 1/4	151915	4
2	SCREW, HEX, HD, TAP, 1/4-20 X 1	152676	4
3	BUMPER, 1/4 HD, TAP, 1/4-20 X 1	154496	4
4	NUT, HEX, NYLK, 1/4-20	159857	4
5	WASHER, 1/4 RUBBER FENDER	164593	4
6	PAN, PLASTIC, EZPR	170804	1